

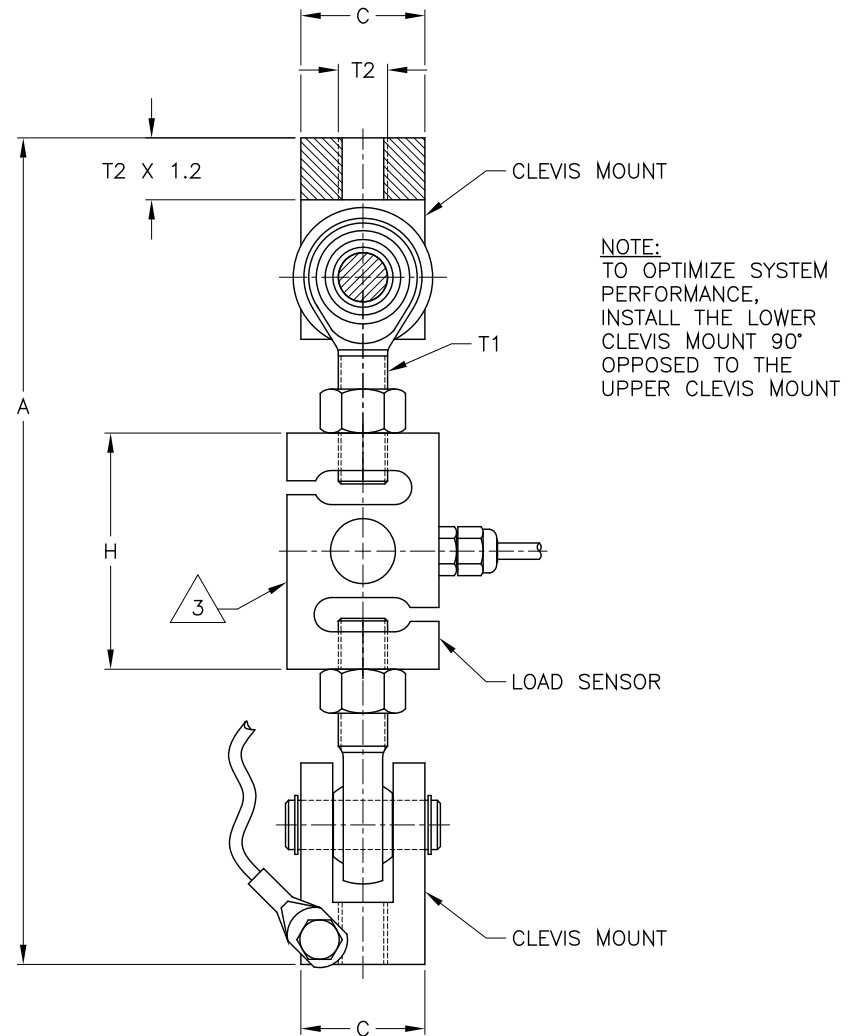
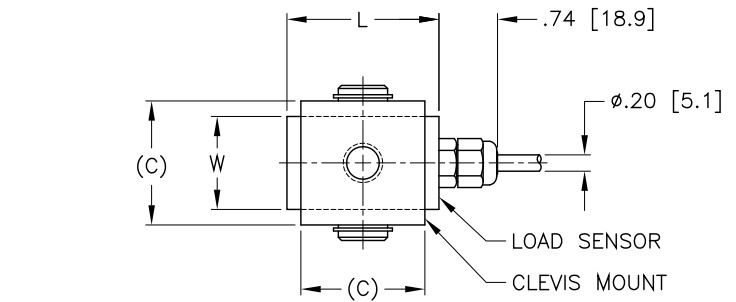
REV.	ECO/DDC	DESCRIPTION	DATE	DRAFT	CHECK	APV'D
A	----	RELEASED.	10-07-14	V.J.C.	N.H.S.	E.J.

CAPACITY LBS [KG]	MODEL NUMBER PLATED ALLOY STEEL	MODEL NUMBER STAINLESS STEEL	LOAD SENSOR MODEL NUMBER	CABLE LENGTH FT [M]
220 LB [100KG]	HI LPTLB-220LB-45C	HI LPTLB-220LB-43C	HI STLB-220LB	20FT [6M]
440 LB [200KG]	HI LPTLB-440LB-45C	HI LPTLB-440LB-43C	HI STLB-440LB	20FT [6M]
1.1 KLB [500KG]	HI LPTLB-1.1KLB-45C	HI LPTLB-1.1KLB-43C	HI STLB-1.1KLB	20FT [6M]
2.2 KLB [1000KG]	HI LPTLB-2.2KLB-45C	HI LPTLB-2.2KLB-43C	HI STLB-2.2KLB	20FT [6M]
4.4 KLB [2000KG]	HI LPTLB-4.4KLB-45C	HI LPTLB-4.4KLB-43C	HI STLB-4.4KLB	20FT [6M]
6.6 KLB [3000KG]	HI LPTLB-6.6KLB-45C	HI LPTLB-6.6KLB-43C	HI STLB-6.6KLB	20FT [6M]
11 KLB [5000KG]	HI LPTLB-11KLB-45C	HI LPTLB-11KLB-43C	HI STLB-11KLB	20FT [6M]

DIMENSIONS- INCHES & [mm]

TOLERANCES: ±0.015 [0.38] UNLESS OTHERWISE STATED

CAPACITY LBS [KG]	A	C	H	L	W	T1	T2	MAXIMUM SAFE STATIC LOAD FORCE-LB [KN]
220 LB [100KG]	9.25 [235.0]	1.18 [30.0]	3.00 [76.2]	1.93 [49.0]	1.18 [30.0]	.500-20 UNC-2B	.500-13 UNC-2B	449.62 LB [2KN]
440 LB [200KG]	9.25 [235.0]	1.18 [30.0]	3.00 [76.2]	1.93 [49.0]	1.18 [30.0]	.500-20 UNC-2B	.500-13 UNC-2B	899.24 LB [4KN]
1.1 KLB [500KG]	9.25 [235.0]	1.18 [30.0]	3.00 [76.2]	1.93 [49.0]	1.18 [30.0]	.500-20 UNC-2B	.500-13 UNC-2B	2.25 KLB [10KN]
2.2 KLB [1000KG]	9.25 [235.0]	1.18 [30.0]	3.00 [76.2]	1.93 [49.0]	1.18 [30.0]	.500-20 UNC-2B	.500-13 UNC-2B	3.37 KLB [15KN]
4.4 KLB [2000KG]	10.50 [266.7]	1.57 [40.0]	3.39 [86.1]	3.00 [76.2]	1.18 [30.0]	.625-18 UNC-2B	.625-11 UNC-2B	6.74 KLB [30KN]
6.6 KLB [3000KG]	12.00 [304.8]	1.97 [50.0]	3.49 [88.7]	3.49 [88.7]	1.57 [40.0]	.750-16 UNC-2B	.750-10 UNC-2B	10.12 KLB [45KN]
11 KLB [5000KG]	17.00 [431.8]	2.36 [60.0]	5.75 [146.1]	3.59 [91.2]	2.22 [56.4]	1.000-12 UNC-2B	1.000-8 UNC-2B	16.86 KLB [75KN]



8. LOAD POINT OPERATING TEMPERATURE RATING IS -20°C TO +65°C. USAGE OF LOAD POINT AT TEMPERATURES BELOW -20°C REQUIRES THAT THE LOAD SENSOR AND CABLE BE TEMPERATURE CONTROLLED.

7. LOAD SENSOR IS STAINLESS STEEL 17-4PH (1.4548).

6. CABLE IS SHIELDED, 6 CONDUCTOR. CABLE SHIELD IS FLOATING. SEE TABLE FOR CABLE LENGTHS.

5. C2 WIRE COLOR CODE FLAG LABEL IS LOCATED APPROXIMATELY 10 INCHES [254MM] FROM END OF CABLE.

- EXCITATION + RED
- EXCITATION - BLACK
- SIGNAL + GREEN
- SIGNAL - WHITE
- C2 + GRAY
- C2 - VIOLET
- SHIELD YELLOW

4. CABLE WIRE ENDS ARE STRIPPED BACK 0.5 INCHES [12.7MM] AND TINNED. CABLE JACKET IS STRIPPED BACK APPROXIMATELY 5 INCHES [127MM].

3. LOCATION OF MODEL/SERIAL NUMBER LABEL.

2. THIS DRAWING IS SUBJECT TO CHANGE WITHOUT NOTICE.

1. RATED OUTPUT: 2mV/V ±5%.

NOTES: UNLESS OTHERWISE SPECIFIED

PROPRIETARY NOTICE
ALL DATA AND INFORMATION CONTAINED IN OR DISCLOSED BY THIS DOCUMENT IS CONFIDENTIAL AND PROPRIETARY INFORMATION OF HARDY PROCESS SOLUTIONS INC. AND ALL RIGHTS THEREIN ARE EXPRESSLY RESERVED. BY ACCEPTING THIS MATERIAL THE RECIPIENT AGREES THAT THIS MATERIAL AND THE INFORMATION CONTAINED THEREIN IS HELD IN CONFIDENCE AND IN TRUST AND SHALL NOT BE USED, COPIED, REPRODUCED IN WHOLE OR IN PART, NOR ITS CONTENTS REVEALED IN ANY MANNER TO OTHERS, EXCEPT TO MEET THE SPECIFIC PURPOSE FOR WHICH IT WAS DELIVERED.

		0588-0154	OUTLINE DRAWING, LOAD POINT, HI LPTLB SERIES	
ITEM	QTY	PART NUMBER	DESCRIPTION	COMMENTS
PARTS LIST				
UNLESS OTHERWISE SPECIFIED DIMENSIONS ARE IN INCHES [MM] TOLERANCES ARE: DECIMALS: .XX = ±0.015 [.38] .XXX = ±0.015 [.38] ANGLES: ±0°, 30'		CONTRACT NO.		HARDY PROCESS SOLUTIONS
		APPROVALS		
		DRAWN V. CHULA	DATE 10-07-14	
		CHECKED N. SCHERRER	DATE 10-07-14	
MATERIAL		APPROVED E. JAMES	DATE 10-07-14	TITLE OUTLINE DRAWING, LOAD POINT, HI LPTLB SERIES
FINISH		ISSUED V. CHULA	DATE 10-07-14	
DO NOT SCALE DRAWING		PRODUCTION	DATE	
SIZE	FSCM	DRAWING NO.	REV.	
D	21316	0588-0154	A	
FILE NAME: 588154A1.DWG		SCALE: NONE	SHEET 1 OF 1	

